



**BURLEY®**

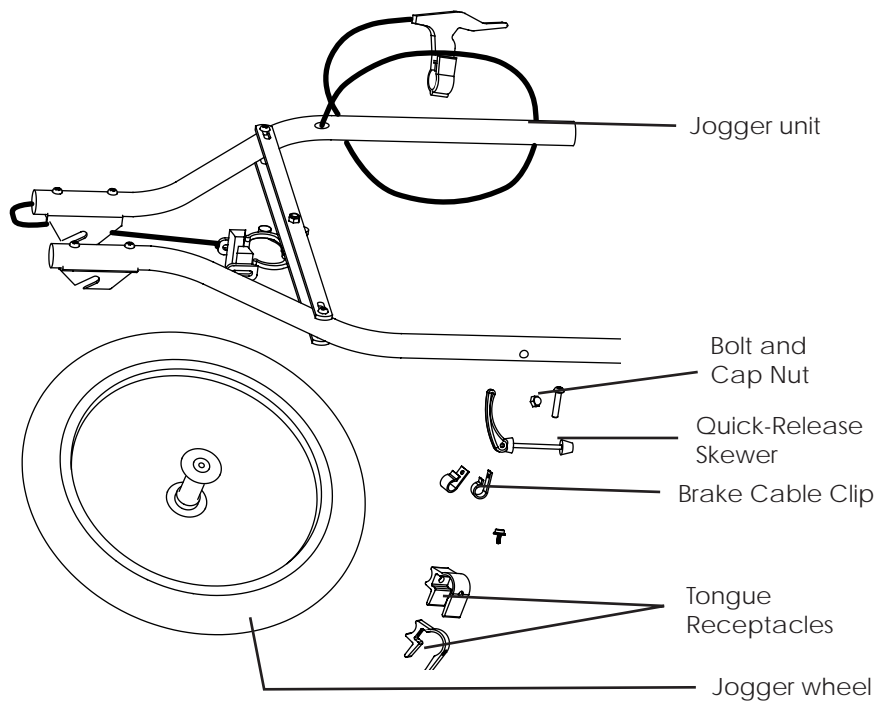
**Burley Solo Jogger**  
Owner's Instruction and Safety Manual



## YOUR BURLEY SOLO JOGGER

We've increased the fun and excitement you and your family will have by creating the Burley Jogger accessory for your Burley child trailer. By following the instructions below, you can convert your Burley Solo from a trailer to a jogger in no time! See your trailer manual for the best way to use your child carrier safely.

### Jogger Contents

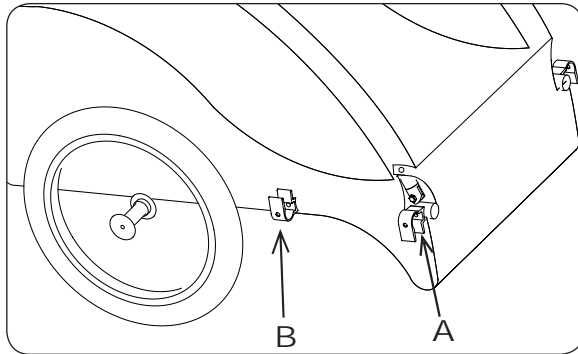


### Tools You Will Need:

- Small Phillips screwdriver which fits snap screws in the kit.
- Medium Phillips screwdriver which properly fits the bolts in the kit (#3 or about 5/16" diameter head)
- 7/16" wrench
- 10mm wrench

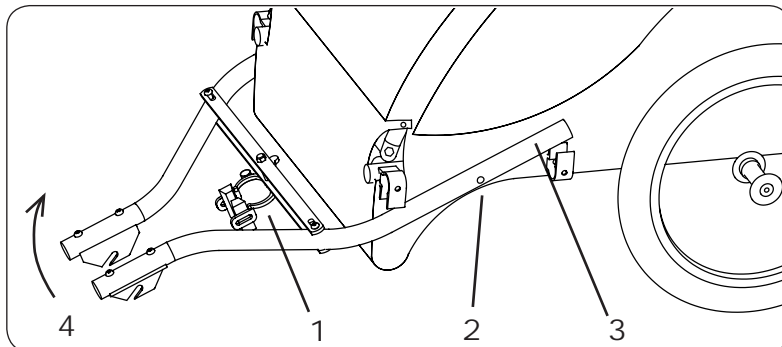
## PUTTING YOUR JOGGER ON YOUR TRAILER:

Only install the jogger when the trailer is empty. Engage the parking brake on your trailer and detach the trailer tongue.



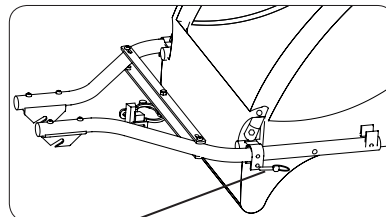
A. Remove the right front bolt on your trailer. replace the bolt with a new tongue receptacle (open side facing down). Use a properly fitting screwdriver and about 70-in.-lbs torque or use a threadlocking compound.

B. Find the second hole in the trailer frame (about 9.5" behind the first hole). Make a hole in the fabric using a drill or a screwdriver. Bolt the tongue receptacle into the frame with the nut provided (open side facing up).



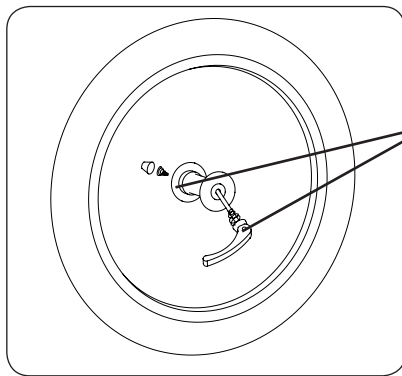
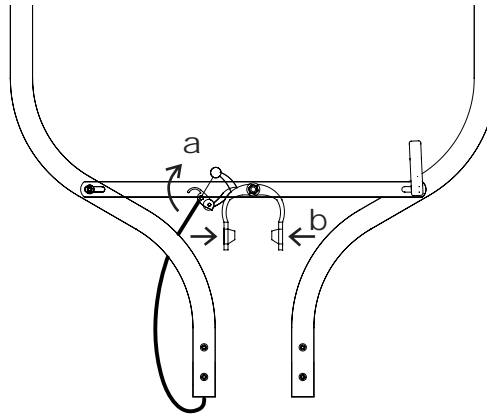
1. The brake should be oriented on the bottom of the jogger, with the pads towards the wheel dropouts.
2. Position the left jogger arm and insert it on the pivot pin as shown.
3. Align both the right and left jogger arms with the tongue receptacles.
4. Rotate the two arms until they snap securely in place.

Secure the left jogger arm by pushing the lockpin fully into the front tongue receptacle. Anchor the lockpin by inserting the hairpin cotter all the way in to the hole in the lock pin.



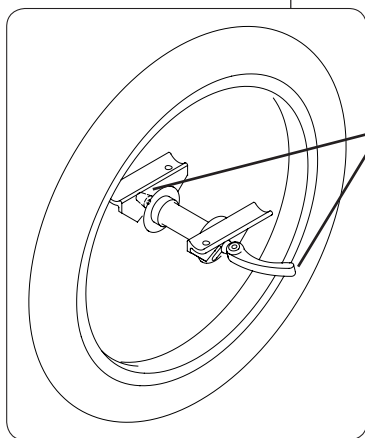
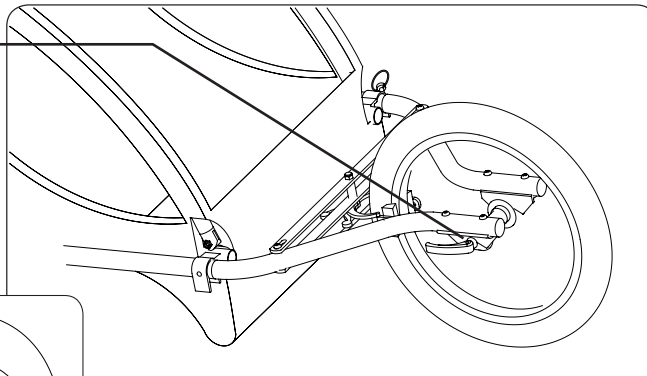
Hairpin Cotter

Release the brake quick-release by pushing the lever towards the trailer (a). You may need to push the brake pads together (b).



Put the quick-release skewer through the hub of the wheel. Make sure that the springs are on either side of the hub. Screw the nut on loosely.

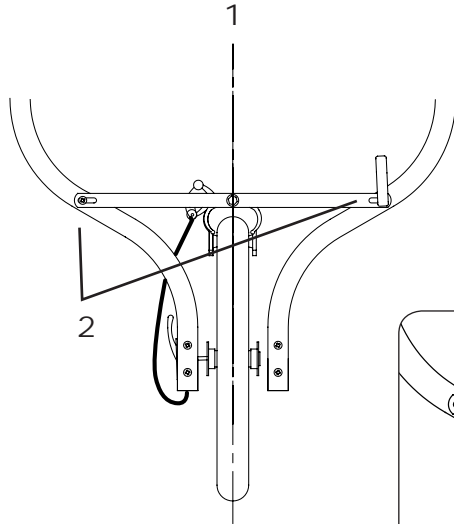
Attach the jogger wheel to the dropout.



Hold the lever perpendicular to the wheel. Tighten the adjusting nut until you feel resistance. **DO NOT TIGHTEN BY SPINNING THE LEVER.**

Close the lever firmly. The lever should be parallel to the dropout and should leave a slight impression in your hands as it closes.

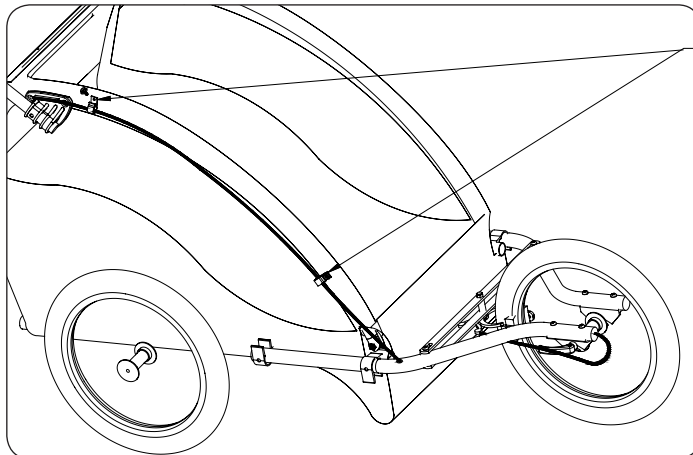
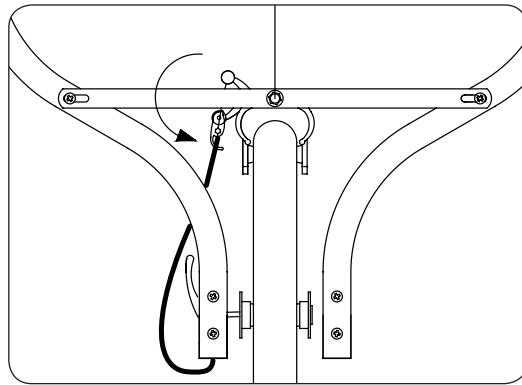
NOTE: It is important to install the wheel correctly. If you have any doubts, see your local bicycle dealer for detailed instructions.



1. Align the bolt with the center of the wheel. Loosen the bolt on the left if necessary.

2. Tighten the bolt and quick-release.

Engage the brake quick-release. Push the lever toward the wheel. You may need to push the brake pads together.

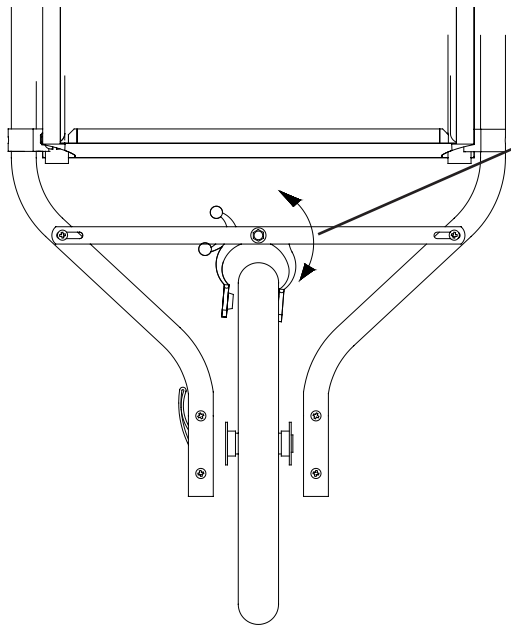
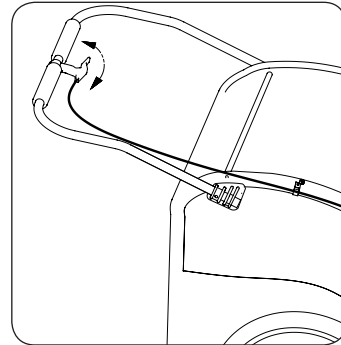


Unscrew the snaps as shown. Reattach them with the brake cable clips.

Thread the brake cable as seen here.

Make sure your handlebars are at the right height for jogging. You can turn the handle upside down for a different height.

Push the foam on the handlebars to either side and clamp the brake lever to the handle bar, twisting it to a comfortable position.



Make sure brake pads are centered on the wheel rim, twist the brake if necessary.

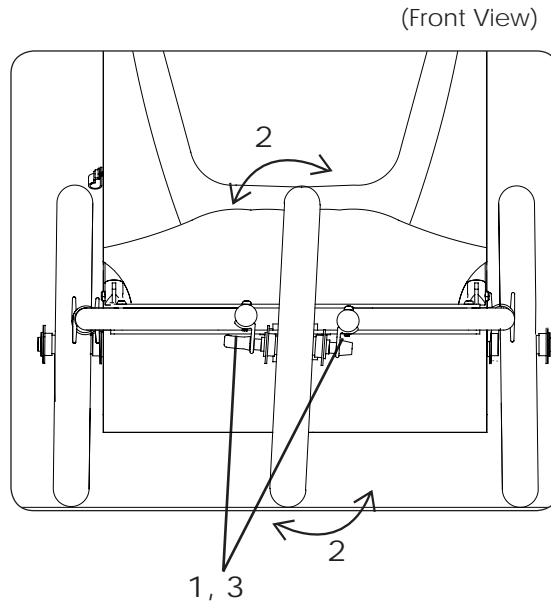
Adjust the brake pads and cables for the proper fit or ask your local bike dealer to adjust them for you. Make sure the wheel comes off easily when the quick-release lever is opened, and make sure the brake functions correctly.

## Aligning the Wheel

Make sure the jogger wheel is aligned vertically.

If the wheel is tilted when the jogger is installed on the trailer:

1. Loosen the nuts on the wheel dropouts
2. Align the wheel vertically
3. Retighten the nuts on the wheel dropouts



## USING YOUR JOGGER

Test your Jogger and feel comfortable with it before attempting to use it with a child. Install your Jogger on the trailer with the parking brake securely engaged before putting your child in the trailer. Secure your child as explained in your trailer manual.

Use the Jogger only on paths that are meant for jogging or walking. Do not use the Jogger on steep slopes, which makes the trailer unstable. You should be able to maintain traction and control of your trailer at all times. Always use the handle bar tether to prevent the trailer getting loose. Do not maneuver the trailer over stairs or other obstacles other than low curbs while your child is in the trailer. Never use your Jogger with roller or inline skates.

While using the Jogger you have two braking options: a slowing down brake while you're running, which is mounted on the handle bar; and a parking brake.

Never leave your child unattended in the Jogger. Engage the parking brake when taking your child out of the trailer.

Converting your Solo from a Jogger into a trailer is quick and easy... simply reverse the steps described above.

1. Remove the brake lever from the handle.
2. Remove the brake cable from the cable clips.
3. Take the lock pin out of the tongue receptacle. Brace the underside of the trailer and pivot the two jogger arms down. You can also release the jogger wheel and pivot each arm individually, if necessary.
4. Remove the jogger unit from your trailer.
5. Attach the trailer tongue as described in your Solo trailer instruction manual.

#### MAINTENANCE

Make sure all of the nuts and bolts are secure on your Jogger. Make sure that the brake is working properly. If you are unsure as to the operation and maintenance of the jogger unit, please contact your local bike dealer.

#### Burley Jogger Limited Warranty

Burley will repair or replace any Jogger parts it determines to be defective for the life of the trailer. The owner of a Burley trailer with Jogger parts installed must present the trailer for repair at an authorized Burley dealer, together with an original sales receipt or similar proof of purchase. This warranty applies only to the original owner and is nontransferable. Burley cannot be responsible for failure due to improper assembly, modification of parts or instructions, neglect, abuse, accident, and/or normal wear. The warranty does not cover any trailers used for rental, competition, or commercial use, nor does it cover Jogger parts used on anything other than a Burley trailer. Burley neither assumes nor authorizes any person to assume any other liability in connection with Burley trailers, and there are no oral agreements or warranties collateral to or affecting this agreement. This warranty gives you specific legal rights. You may also have other rights which vary from state to state.



**BURLEY®**

Burley Design Cooperative • 4020 Stewart Rd. • Eugene, OR 97402 USA  
(541) 687-1644 • Fax (541) 687-0436 • email: burley@burley.com • www.burley.com

Copyright © 2004 by Burley Design Cooperative  
"Burley" is a registered trademark of Burley Design Cooperative

 Printed on recycled paper

rev4: 04/04